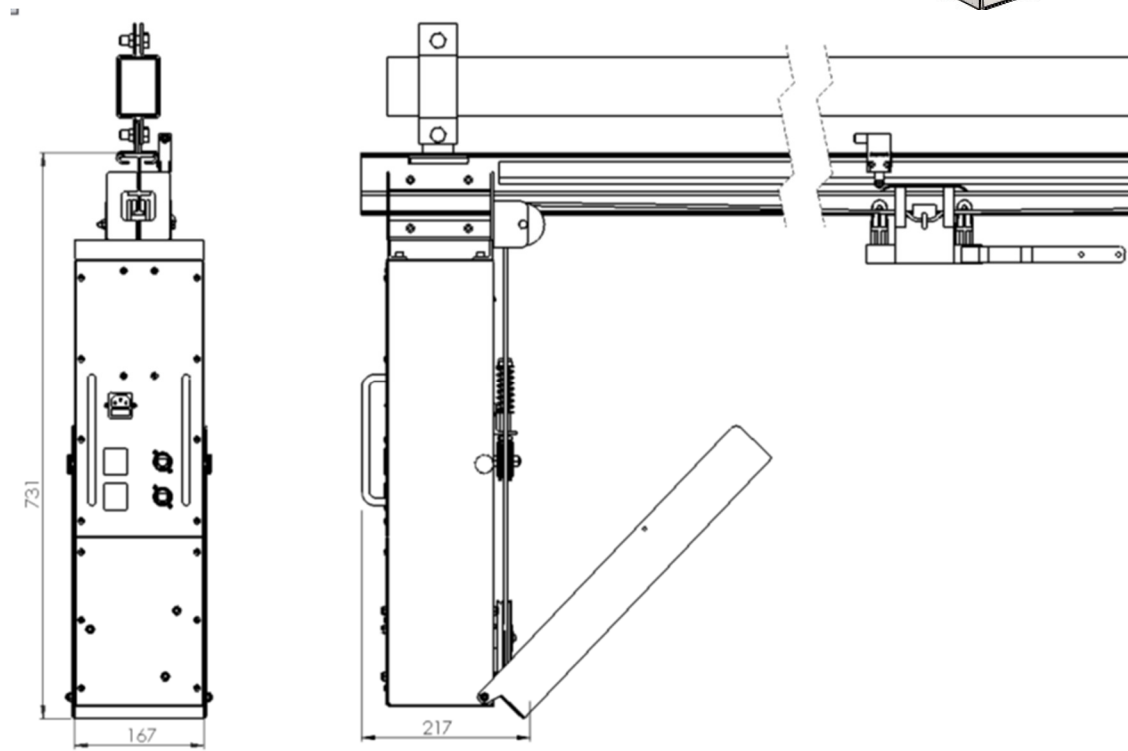
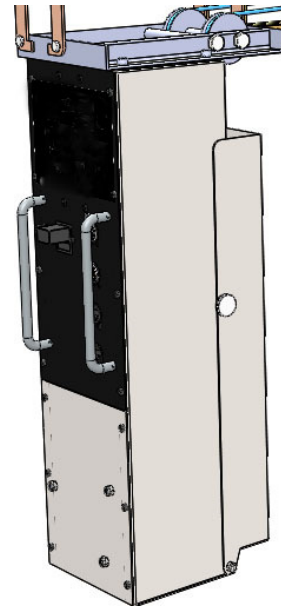


ITF Curtain Motor

Imported Theatre fabrics 240v theatre curtain motor has been designed to hang on the bottom of the track giving a clean safe operation of your theatre drapes.

The system has a standard Open/Close and Stop functions with speed control. It can also be upgraded to a remote control system.

Motor can be easily installed onto our medium and heavy duty tracks.



Technical Specification

Motor: 24v DC, 200w, 3200RPM

Power Consumption: 200-240V 5A

Gearbox: 25:1 ratio worm drive; 128RPM output 30nm torque

95mm dia; root circumference 298.5mm

Imported Theatre Fabrics
11-15 Kembla St Cheltenham
Ph:03 9583 9559 Fax:03 9583 9556
www.importedtheatrefabrics.com.au

The ITF theatre curtain motor is capable of operating a 20m wide 8metre drop track with drapes in a centre close configuration. The multi speed motor is limited with track mounted limit switches

ACCESSORIES



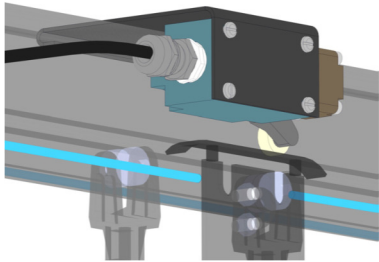
CONTROL PANEL

System is supplied with one press button control which also has speed controls.

An additional control panel can also be connected for track control from a different location

LIMIT SWITCH

Each system is supplied with two limit switches to fit ITF heavy and medium duty tracks



MASTER CARRIER WITH LIMIT SWITCH TRIP

Master Cranked Carriers with tripping plate for limits

switches are available for bot ITF medium track and ITF heavy duty tracks

